



HGS (INDIA) LIMITED



HGS 1BP-Male Inline Land Connector



158, Sector-4, IMT Manesar, Gurugram-122050, Haryana, INDIA
Tel: +91 (0124) 4681800
Email: sales@hgsindia.com

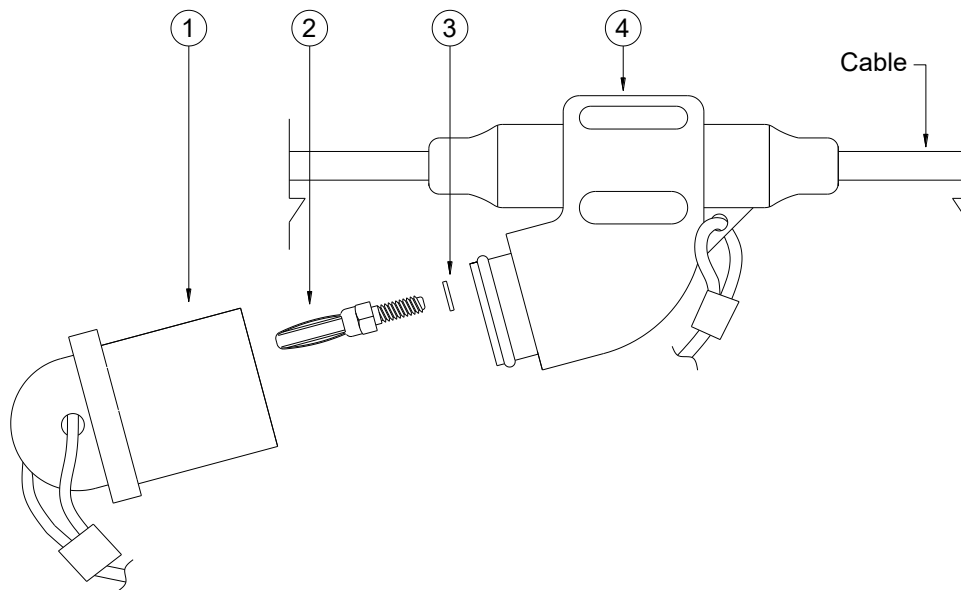


HGS (INDIA) LIMITED



SCHEMATIC

HGS 1BP-Male Inline Land Connector



4	CONNECTOR BODY SUB ASSY.	01 No
3	SPRING WASHER	01 No
2	BANANA PLUG	01 No
1	DUST CAP WITH WIRE ROPE & FERRULE	01 No.
S. NO.	DESCRIPTION	QTY



HGS (INDIA) LIMITED



SPECIFICATIONS

HGS 1BP-Male Inline Land Connector

- Compatible with Kooter style connectors.
- Connector with 1 set of male (banana) & female contacts.
- Replaceable male contact version also available.
- Impact Resistant Material.
- Compatible with 4.57,5.33 or 6.35 cable.
- Attached with female dust cap.
- Push-pull fit.
- Maximum strength in rugged field conditions.
- Arctic version also available.
- Specific configuration to customer specifications.
- Operating temperature range: -20°C to +70°C (Standard version) and -40°C to +70°C (Arctic version)
- Water resistant connector, IP Rating = IP67.

Version 1.2